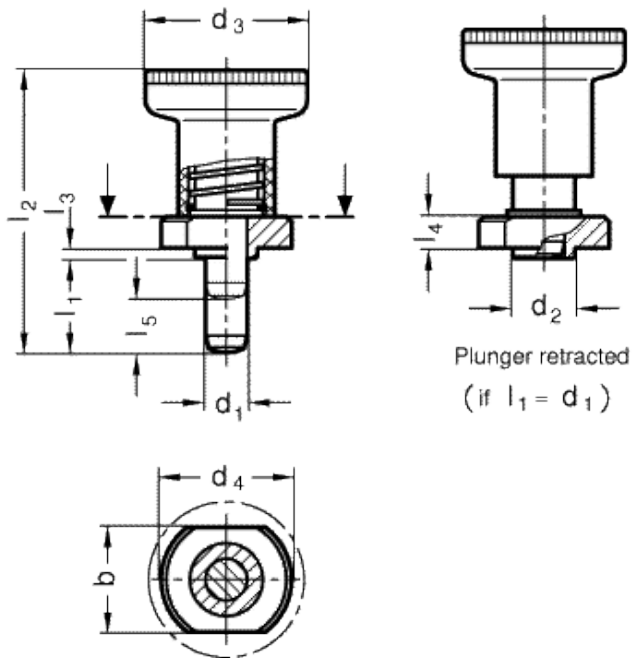
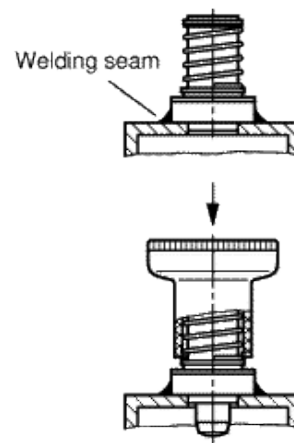


GN 607.4

Indexing plungers



Assembly instruction



To prevent damage of the plastic knob, it will be driven onto the shaft using a plastic mallet, after the welding process.



technical informations

Body

Black-oxide steel.

Plunger

Black-oxide steel, hardened. Suggested matching hole with tolerance $+0.3 / +0.25$.

Knob

Plastic, polyamide based (PA) technopolymer, black colour, matte finish, not removable.

Features and applications

Indexing plungers GN 607.4 are designed for welded fixing, in particular for use in steel square tubings.

The lug d_2 is intended for positioning.

The plastic knob with the in-moulded indexing pin is driven on after the welding process.

Standard Elements	Main dimensions										Spring pressure in N \approx		Axial holding force in N \approx	Weight g
	d_1	b	d_2	d_3	d_4	l_2	l_3	l_4	l_5	Preload	Max. load			
GN 607.4-6-6-ST	6	6 18	10	25	22 37	1.5	5.5	6		8.5	22	400	35	
GN 607.4-6-14-ST	6	14 18	10	25	22 45	1.5	5.5	6		8.5	22	400	36	
GN 607.4-8-8-ST	8	8 20	12	31	25 44	2	6.5	8		15.5	28	500	56	
GN 607.4-8-18-ST	8	18 20	12	31	25 54	2	6.5	8		15.5	28	500	60	



STANDARD MACHINE ELEMENTS WORLDWIDE